



## BNC Twinax Plug to BNC Twinax Jack Right Angle Adapter

### TECHNICAL DATA SHEET

PE9377

#### BNC Twinax Plug to BNC Twinax Jack Right Angle Adapter

##### Configuration

Connector 1	BNC Twinax Plug
Impedance 1	78 Ohms
Connector 2	BNC Twinax Jack
Impedance 2	78 Ohms
Adapter Design	Standard
Body Style	Right Angle

##### Mechanical Specifications

###### Size

Length, in [mm]	1.02 [25.91]
Width/Dia., in [mm]	0.57 [14.48]
Height, in [mm]	0.89 [22.61]

###### Connector 1

Type	BNC Twinax Plug
Inner Conductor Material and Plating	Silver
Coupling Nut Material and Plating	Brass, Nickel
Body Material and Plating	Brass, Nickel
Dielectric Type	PTFE

###### Connector 2

Type	BNC Twinax Jack
Inner Conductor Material and Plating	Silver
Body Material and Plating	Brass, Nickel
Dielectric Type	PTFE

##### Compliance Certifications (visit [www.Pasternack.com](http://www.Pasternack.com) for current document)

RoHS Compliant	Yes
----------------	-----

##### Plotted and Other Data

Notes:	Values at 25 °C, sea level
--------	----------------------------

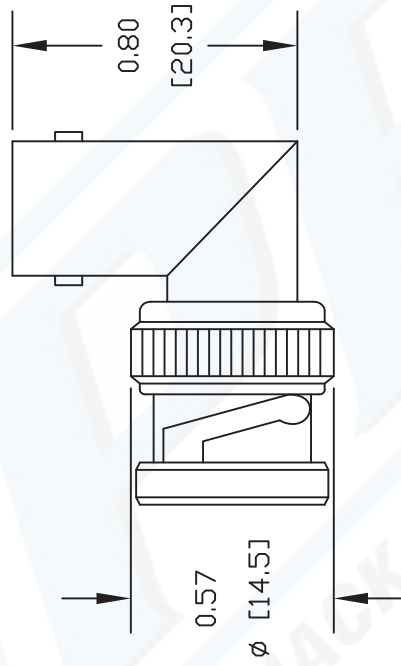
URL: <http://www.pasternack.com/bnc-twinax-plug-bnc-twinax-jack-right-angle-adapter-pe9377-p.aspx>

BNC Twinax Plug to BNC Twinax Jack Right Angle Adapter from Pasternack Enterprises has same day shipment for domestic and International orders. Our RF, microwave and fiber optic products maintain a 99% availability and are part of the broadest selection in the industry.

The information contained in this document is accurate to the best of our knowledge and representative of the part described herein. It may be necessary to make modifications to the part and/or the documentation of the part, in order to implement improvements. Pasternack reserves the right to make such changes as required. Unless otherwise stated, all specifications are nominal.

# PE9377 CAD Drawing

BNC Twinax Plug to BNC Twinax Jack Right Angle Adapter



DWG TITLE

**PE9377**

NOTES:  
1. UNLESS OTHERWISE SPECIFIED ALL DIMENSIONS ARE NOMINAL.  
2. ALL SPECIFICATIONS ARE SUBJECT TO CHANGE WITHOUT NOTICE AT ANY TIME.  
3. DIMENSIONS ARE IN INCHES [mm].

REV. -

FSCM NO. 53919

CAD FILE 091802

SCALE N/A

SIZE A

127

**PASTERNAK ENTERPRISES, INC.**  
P O BOX 16759, IRVINE, CA 92623  
PHONE (949) 261-1920 FAX (949) 261-7451  
WEB ADDRESS: [www.pasternack.com](http://www.pasternack.com)  
E-MAIL ADDRESS: [sales@pasternack.com](mailto:sales@pasternack.com)  
**COAXIAL & FIBER OPTICS**

